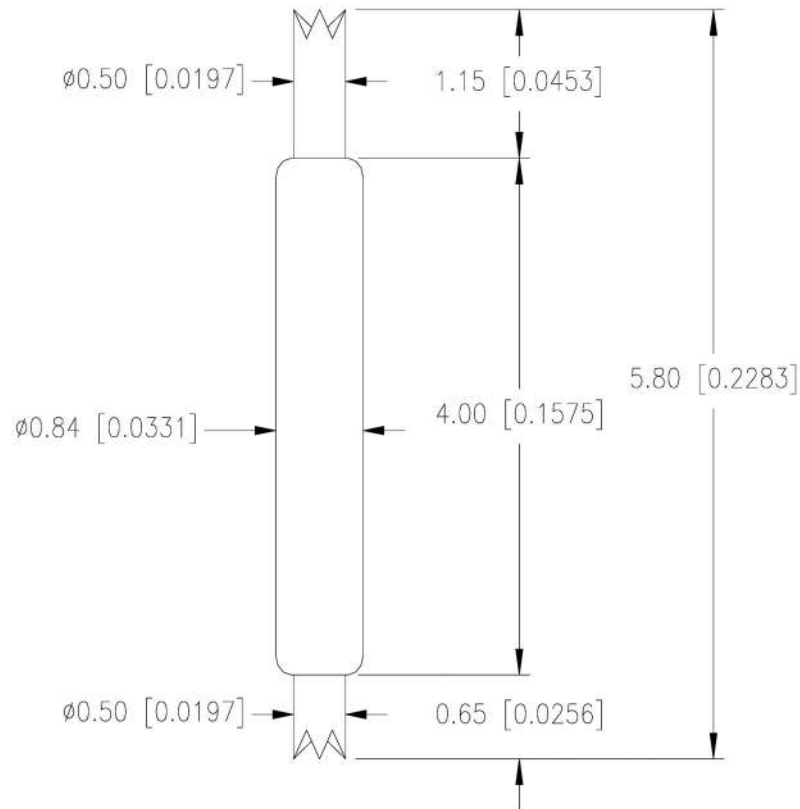


REV	DESCRIPTION	DATE	BY
A	NEW DRAWING	06/13/03	SC

SKT1767
DOD41767



Unit: Millimeter[inch]

Spring force

13.80g(0.487oz) at initial travel

30.60g(1.079oz) at 0.70mm(0.0276) recommended travel

37.80g(1.333oz) at 1.05mm(0.0413) full travel

Material & Finish

Plunger Hardened Beryllium copper / Gold Plated

Barrel Phosphor Bronze / Gold Plated

Spring Music Wire / Gold Plated

ALL DIMENSIONS ARE IN INCHES UNLESS OTHERWISE SPECIFIED



Emulation Technology, Inc.

VLSI and SMT ADAPTERS and ACCESSORIES

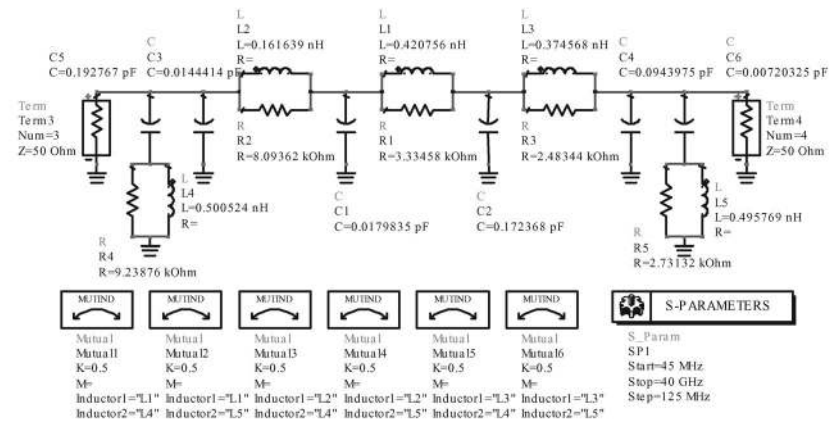
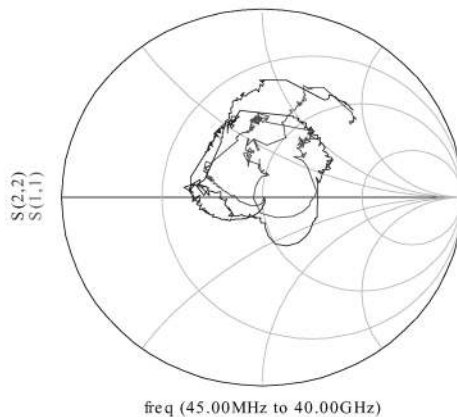
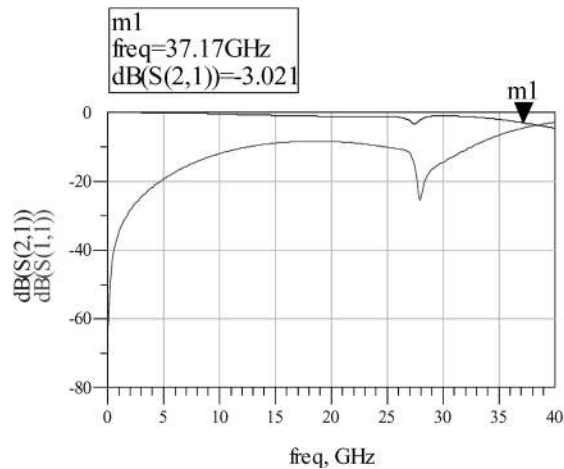
2344 Walsh Avenue, Bldg F
Santa Clara, CA 95051

TEL: (408) 982-0660
FAX: (408) 982-0664

SHEET: 1 OF 2	DATE: 6/10/03	REVISION: A	ASSEMBLY DRAWING
CHECKED: Joe Bagliere	DRAWN:	ITEM: POGO-PIN-5.80-1	
SCALED:	DO NOT SCALE DRAWING		DESCRIPTION: POGO-PIN-5.80-1, 1.00mm Pitch

REV	DESCRIPTION	DATE	BY
A	NEW DRAWING	06/13/03	SC

SKT1767
DOD41767



- Equivalent-circuit model -

Electrical Spec.

Current Rating	: 2.0A Continuous
Probe Resistance	: Less than 50mohm
Self Inductance	: 0.96nH
Mutual Inductance	: 0.97nH(K=0.5)
Capacitance	: 0.50pF
Bandwidth	: 37.17GHz
Propagation Delay	: 55.19ps
(Dielectric material)	: ULTEM1000)

ALL DIMENSIONS ARE IN INCHES UNLESS OTHERWISE SPECIFIED			
		Emulation Technology, Inc. VLSI and SMT ADAPTERS and ACCESSORIES	
		2344 Walsh Avenue, Bldg F Santa Clara, CA 95051	TEL: (408) 982-0660 FAX: (408) 982-0664
SHEET: 2 OF 2	DATE: 6/13/03	REVISION: A	ASSEMBLY DRAWING
CHECKED: Joe Bagliere	DRAWN: SC	ITEM: POGO-PIN-5.80-1	
SCALED: N/A	DO NOT SCALE DRAWING	DESCRIPTION: POGO-PIN-5.80-1, 1.00mm Pitch	