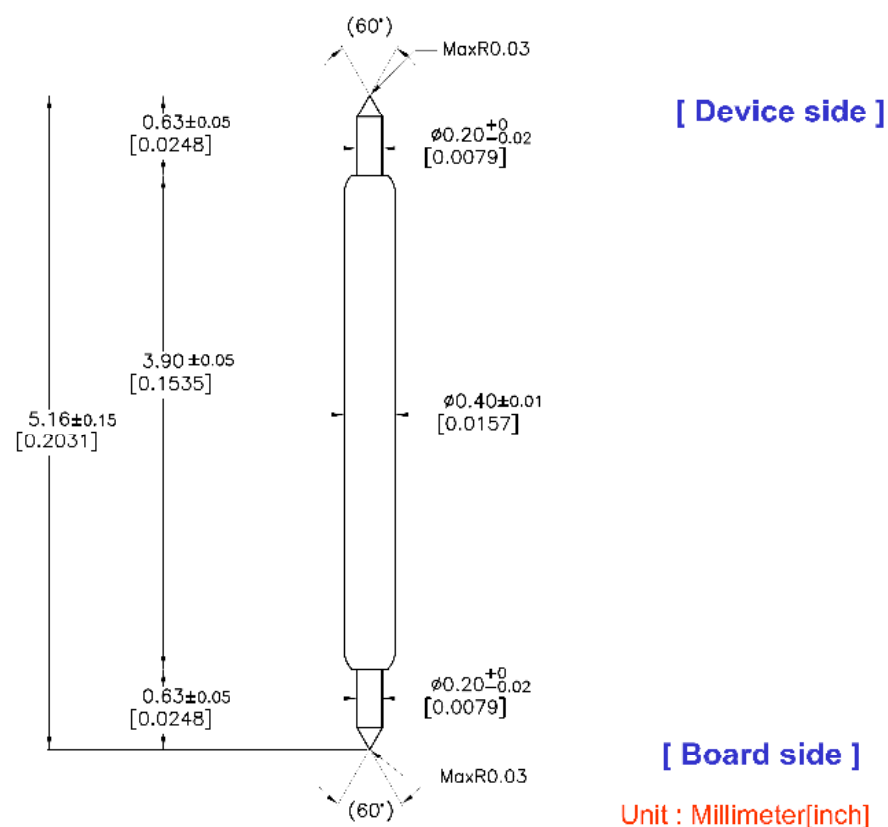


REV	DESCRIPTION	DATE	BY
A	NEW DRAWING	10/27/03	HN
B	UPDATED DWG & NOTES	8/19/14	TF

SKT1896



It is very important to verify the actual working travel when this probe is set in a socket due to difference of only 0.20mm between recommended and full travel. In case that the actual working travel is over 0.60mm, the device, spring, plunger and/or PCB pad will be damaged. Therefore, the above notice must be reflected in socket design.

- Pointing accuracy** : ± 0.04 mm
- Spring force [$\pm 20\%$]**
- 10.0g(0.353oz) at initial travel
 - ▶ 32.5g(1.146oz) at 0.60mm(0.0236) recommended travel
 - ▶ 40.1g(1.415oz) at 0.80mm(0.0315) full travel

Material & Finish

Plunger [Device side]	Hardened Beryllium copper	/ Gold Plated
Plunger [Board side]	Hardened Beryllium copper	/ Gold Plated
Barrel	Phosphor Bronze	/ Gold Plated
Spring	Stainless Steel	/ Gold Plated

UNLESS OTHERWISE SPECIFIED:
 DIMENSIONS ARE IN MILLIMETERS
 SURFACE FINISH:
 GENERAL TOLERANCES: ± 0.10
 LINEAR:
 ANGULAR:

ALL DIMENSIONS ARE IN MILLIMETERS UNLESS OTHERWISE SPECIFIED			
		EMULATION TECHNOLOGY, INC. ——— VLSI and SMT ADAPTERS and ACCESSORIES ———	
		759 FLYNN ROAD CAMARILLO, CA 93012	TEL: (805) 383-8480 FAX: (805) 383-8484
SHEET: 1 OF 2	DATE: 10/27/03	REVISION: B	ASSEMBLY DRAWING
CHECKED: P. MUNROE	PREPARED BY: H. NGUYEN	ITEM: POGO-PIN-5.16-1	DESCRIPTION: POGO-PIN-5.16-1
DO NOT SCALE DRAWING			

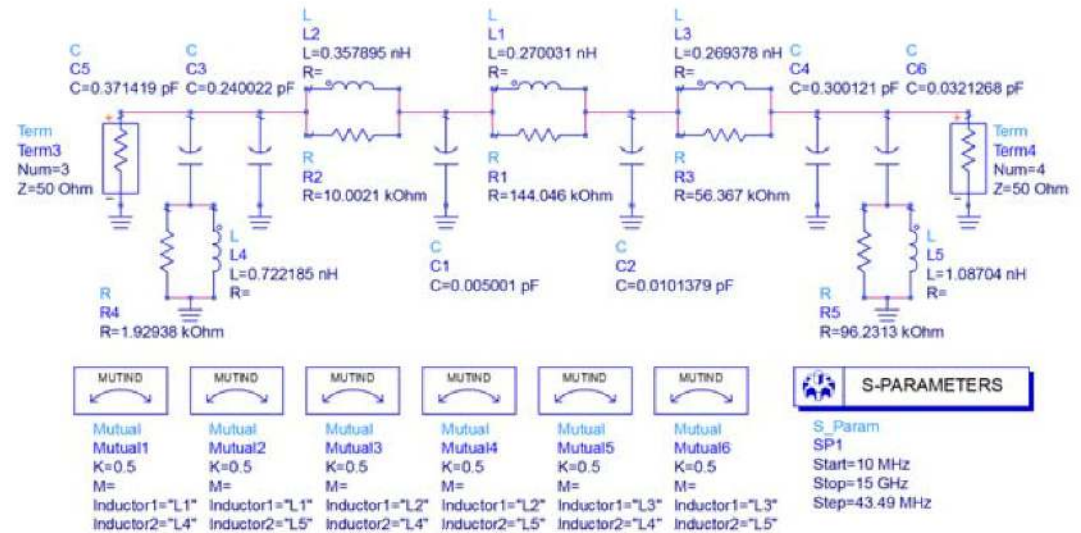
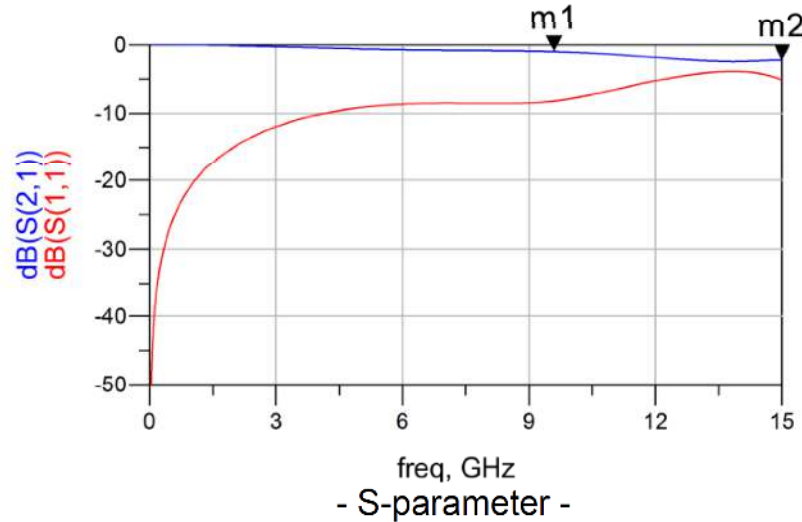
Electrical Spec.

- Current Rating : 2.0A Continuous
- Self Inductance : 0.90nH
- Capacitance : 0.96pF
- Bandwidth : 9.598GHz @ -1.000dB
(Dielectric material : ULTEM1000)

- Mutual Inductance : 0.62nH (K=0.5)
- Propagation Delay : 57.62ps

m1
freq=9.598GHz
dB(S(2,1))=-1.000

m2
freq=15.00GHz
dB(S(2,1))=-2.236



- Equivalent-circuit model -

ALL DIMENSIONS ARE IN MILLIMETERS UNLESS OTHERWISE SPECIFIED

EMULATION TECHNOLOGY, INC.
 VLSI and SMT ADAPTERS and ACCESSORIES
 759 FLYNN ROAD
 CAMARILLO, CA 93012
 TEL: (805) 383-8480
 FAX: (805) 383-8484

SHEET: 2 OF 2	DATE: 10/27/03	REVISION: B	ASSEMBLY DRAWING
CHECKED: P. MUNROE	PREPARED BY: H. NGUYEN	ITEM: POGO-PIN-5.16-1	DESCRIPTION: POGO-PIN-5.16-1
DO NOT SCALE DRAWING			

UNLESS OTHERWISE SPECIFIED:
 DIMENSIONS ARE IN MILLIMETERS
 SURFACE FINISH:
 GENERAL TOLERANCES: ±0.10
 LINEAR:
 ANGULAR: