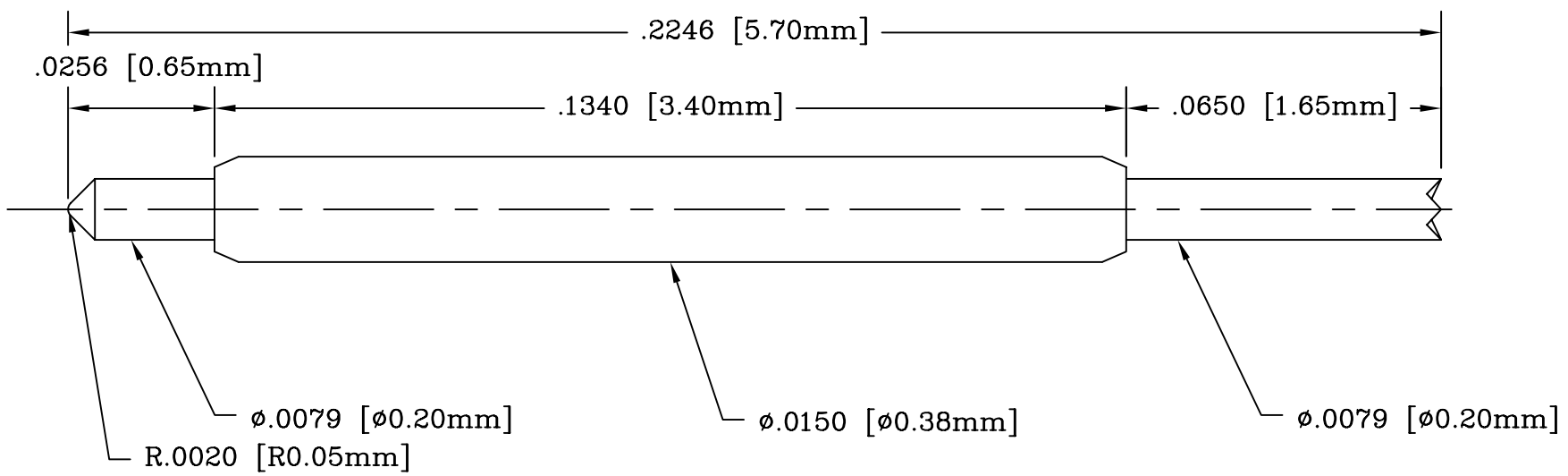


| REV | DESCRIPTION | DATE | BY |
|-----|-------------|----------|------|
| A | NEW DRAWING | 05/04/05 | H.N. |

SKT2288



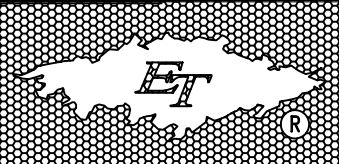
POINTING ACCURACY: 0.085mm

SPRING FORCE: 20%

5.6g(0.198oz) AT INITIAL TRAVEL,
 15.1g(0.533oz) AT .0295 [0.75mm] RECOMMENDED TRAVEL
 15.8g(0.557oz) AT .0315 [0.80mm] FULL TRAVEL

MATERIAL & FINISH:

| | | | |
|---------|---------------------------|---|-------------|
| PLUNGER | HARDENED BERYLLIUM COPPER | / | GOLD PLATED |
| BARREL | PHOSPHOR BRONZE | / | GOLD PLATED |
| SPRING | MUSIC WIRE | / | GOLD PLATED |

| | | | |
|---|-------------------|---|-------------------------|
| ALL DIMENSIONS ARE IN INCHES UNLESS OTHERWISE SPECIFIED | | | |
|  | | Emulation Technology, Inc. | |
| | | — VLSI and SMT ADAPTERS and ACCESSORIES — | |
| 2344 Walsh Avenue, Bldg.F Santa Clara, Ca 95051 | | TEL:(408)982-0660 FAX:(408)982-0664 | |
| SHEET: 1 OF 1 | DATE: 05/04/05 | REVISION: A | ASSEMBLY DRAWING |
| CHECKED: Perry Munroe | | DRAWN: Huy Nguyen | |
| Scale N/A | | DO NOT SCALE DRAWING | |
| | | ITEM: POGO-PIN-5.70-4 | |
| | | DESCRIPTION: POGO-PIN-5.70-4 | |