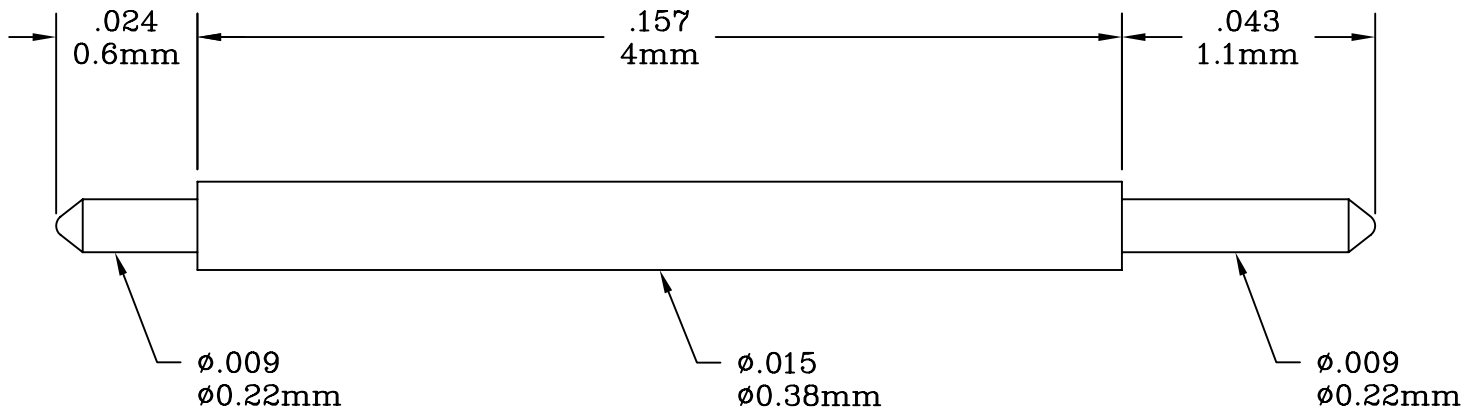


REV	DESCRIPTION	DATE	BY
A	NEW DRAWING	07/11/07	H.N.

SKT2955

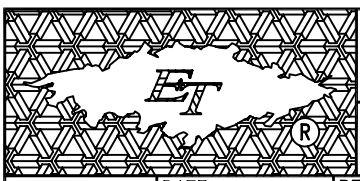


MECHANICAL SPECIFICATION:

- Spring Force : 1.23 oz (34.8g) @ .0260 (0.65mm)
- Recommend travel : .0260 (0.65mm)
- Full travel : .0390 (1.00mm)
- Material : Plunger -BeCu/ Au plated
 Barrel -Phosphor bronze / Au plated
 Spring -Music wire / Au plated

ELECTRICAL SPECIFICATIONS:

- Current Rating : 1.0A Continuous
- Probe Resistance : Less then 50mohm



Emulation Technology, Inc.
 — VLSI and SMT ADAPTERS and ACCESSORIES —
 2344 Walsh Avenue, Bldg.F Santa Clara, Ca 95051
 TEL:(408)982-0660 FAX:(408)982-0664

SHEET: 1 OF 1	DATE: 07/11/07	REVISION: A	ASSEMBLY DRAWING
CHECKED:	DRAWN: H.N.	ITEM: POGO-PIN-4.00-2	
Scale N/A	DO NOT SCALE DRAWING	DESCRIPTION: POGO-PIN-4.00-2	