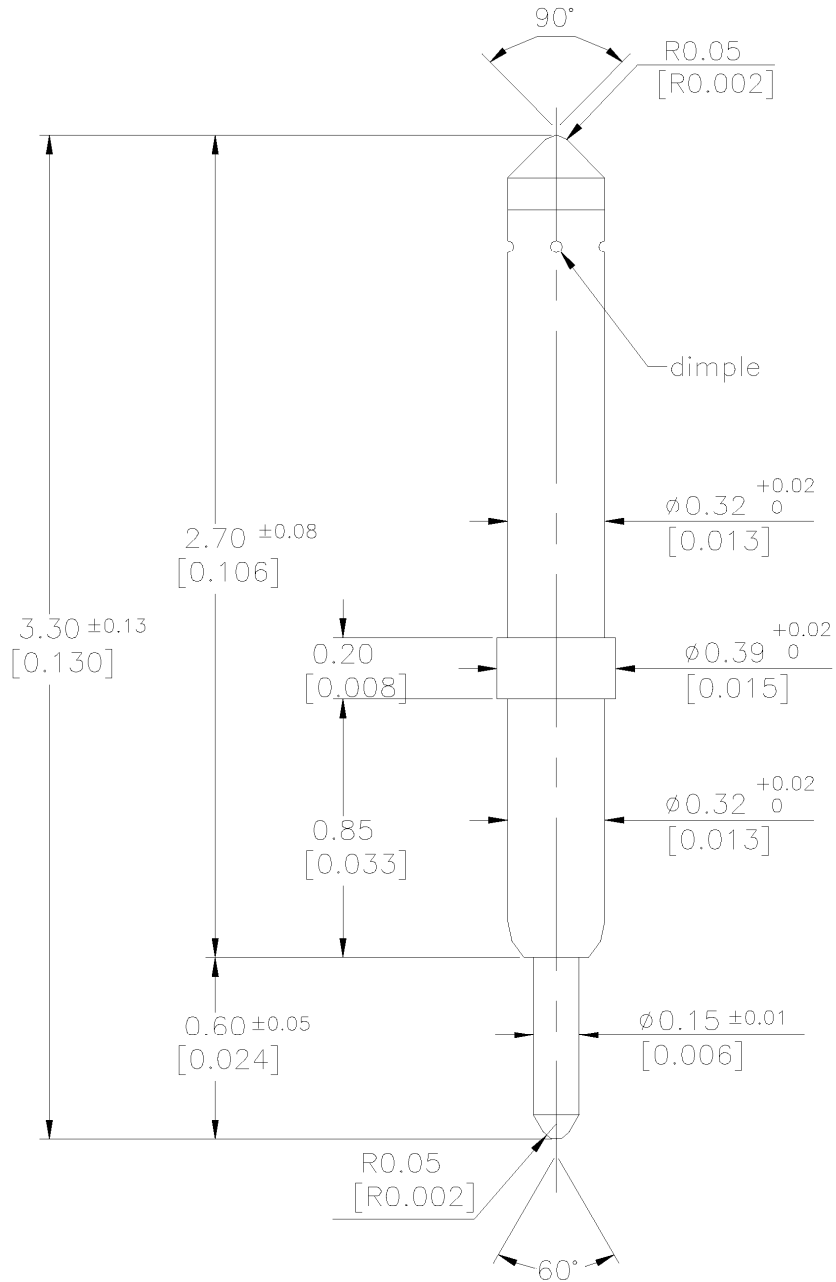


REV	DESCRIPTION	DATE	BY
A	NEW DRAWING	11/10/10	JAG
B	ADDED ELECTRICAL SPECS (PG2)	02/18/16	JAG

SKT3548



STATE	TRAVEL (mm)	SPRING FORCE (g)
INITIAL TRAVEL	--	11.3
RECOMMENDED TRAVEL	0.38	24.4
FULL TRAVEL	0.51	28.8

POINTING ACCURACY ± 0.05 mm		
PART	MATERIAL	FINISH
SPRING	MUSIC WIRE	GOLD PLATED
BARREL	PHOSPHOR BRONZE	GOLD PLATED
TOP PLUNGER	HARDENED BERYLLIUM COPPER	GOLD PLATED
BOTTOM PLUNGER	HARDENED BERYLLIUM COPPER	GOLD PLATED

DIMENSIONS ARE IN MM UNLESS OTHERWISE SPECIFIED TOLERANCES ARE:

X.X	±0.100MM	ANGULAR:
X.XX	±0.050MM	X.X° ±1.0°
X.XXX	±0.025MM	X.XX° ±0.5°

ALL DIMENSIONS ARE IN MILLIMETERS UNLESS OTHERWISE SPECIFIED



**EMULATION TECHNOLOGY, INC.**

VLSI and SMT ADAPTERS and ACCESSORIES

741 FLYNN ROAD  
CAMARILLO, CA 93012

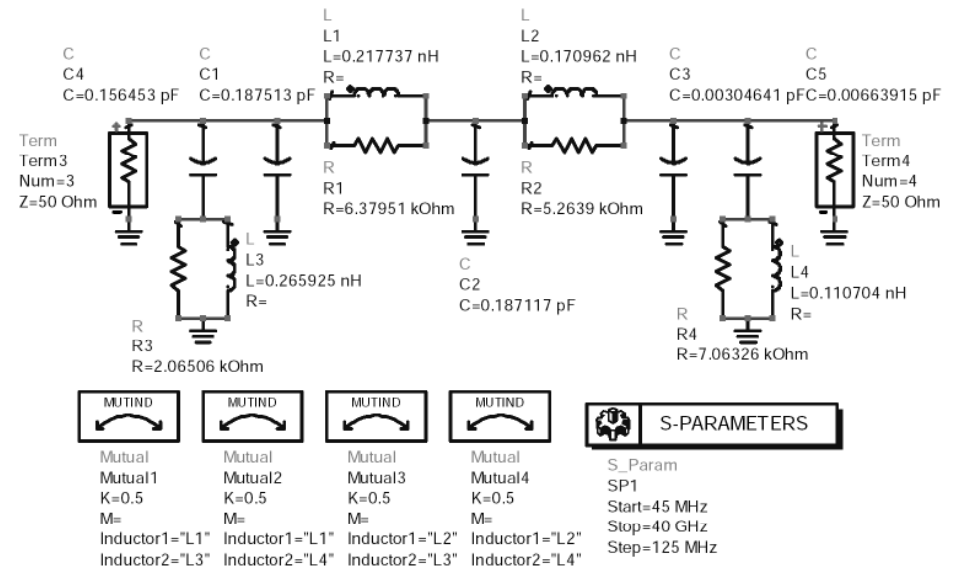
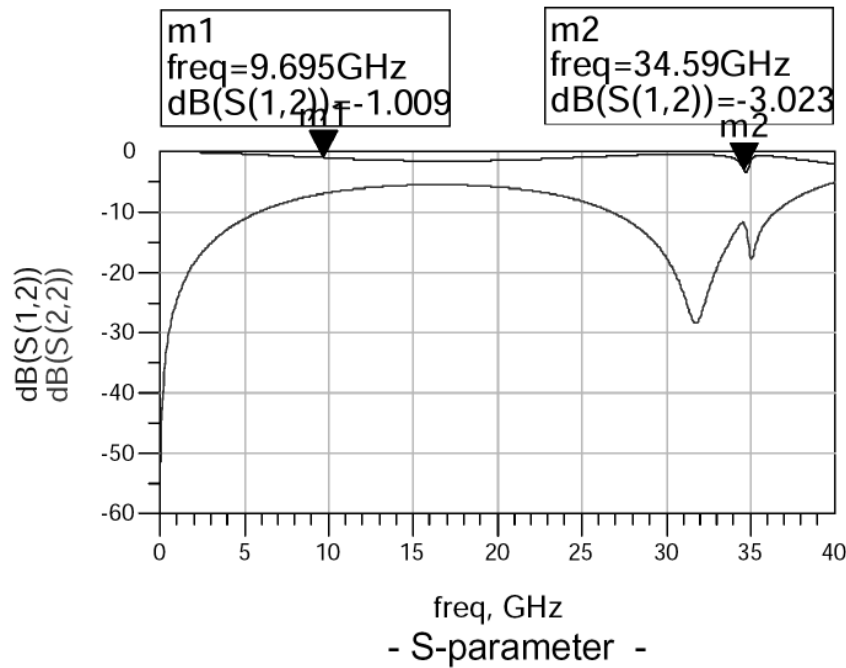
TEL: (805) 383-8480  
FAX: (805) 383-8484

SHEET: 1 OF 2	DATE: 11/10/10	REVISION: B	<b>ASSEMBLY DRAWING</b>
CHECKED:	PREPARED BY: J. GELACIO	ITEM: POGO-PIN-3.33-2	
DO NOT SCALE DRAWING			DESCRIPTION: POGO-PIN-3.33-2

# Electrical Spec.

- Current Rating : 2.0A Continuous
- Self Inductance : 0.39nH
- Capacitance : 0.54pF
- Bandwidth : 34.59GHz @ -3.023dB  
(Dielectric material : ULTEM1000)

- Mutual Inductance : 0.38nH
- Propagation Delay : 21.01ps
- Insertion Loss : -1.009dB @ 9.695GHz



- Equivalent-circuit model -

ALL DIMENSIONS ARE IN MILLIMETERS UNLESS OTHERWISE SPECIFIED			
		<b>EMULATION TECHNOLOGY, INC.</b>	
		VLSI and SMT ADAPTERS and ACCESSORIES	
741 FLYNN ROAD		TEL: (805) 383-8480	
CAMARILLO, CA 93012		FAX: (805) 383-8484	
SHEET: 2 OF 2	DATE: 02/18/16	REVISION: B	<b>ASSEMBLY DRAWING</b>
CHECKED:	PREPARED BY: J. GELACIO		ITEM: POGO-PIN-3.33-2
DO NOT SCALE DRAWING			DESCRIPTION: POGO-PIN-3.33-2