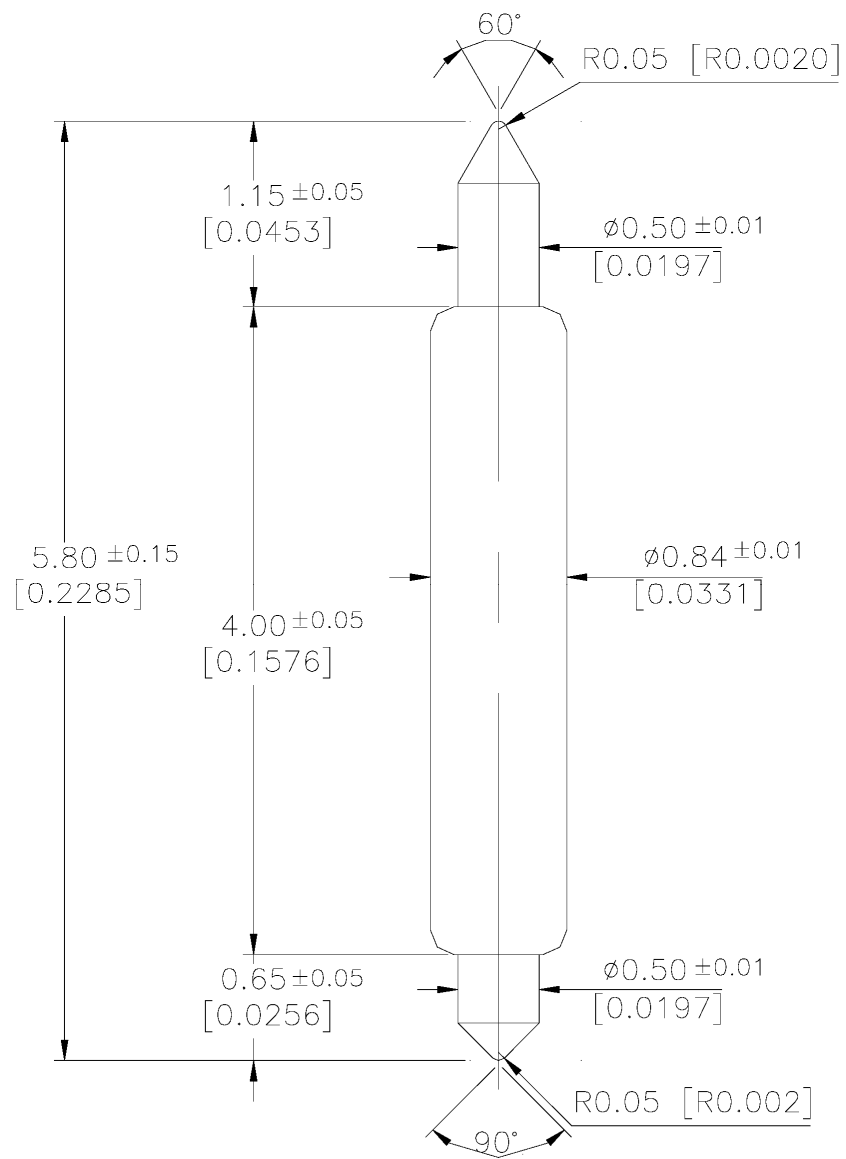


| REV | DESCRIPTION | DATE     | BY  |
|-----|-------------|----------|-----|
| A   | NEW DRAWING | 10/04/12 | JAG |

SKT3825



Pointing Accuracy: ± 0.05 mm

Spring Force: ± 20%

| STATE              | TRAVEL          | SPRING FORCE    |
|--------------------|-----------------|-----------------|
| Initial Travel     | --              | 14.1g (0.497oz) |
| Recommended Travel | 0.70mm (0.0276) | 30.6g (1.097oz) |
| Full Travel        | 1.05mm (0.0413) | 38.9g (1.372oz) |

| PART    | MATERIAL                  | FINISH      |
|---------|---------------------------|-------------|
| Plunger | Hardened Beryllium Copper | Gold Plated |
| Barrel  | Phosphor Bronze           | Gold Plated |
| Spring  | Stainless Steel           | Gold Plated |

DIMENSIONS ARE IN MM UNLESS OTHERWISE SPECIFIED  
 SPECIFIED TOLERANCES ARE:  
 X.X ±0.100MM ANGULAR: X.X° ±1.0°  
 X.XX ±0.050MM X.XX° ±0.5°  
 X.XXX ±0.025MM

ALL DIMENSIONS ARE IN MILLIMETERS UNLESS OTHERWISE SPECIFIED

**EMULATION TECHNOLOGY, INC.**  
 VLSI and SMT ADAPTERS and ACCESSORIES

759 FLYNN ROAD  
 CAMARILLO, CA 93012

TEL: (805) 383-8480  
 FAX: (805) 383-8484

SHEET: 1 OF 1 DATE: 10/04/12 REVISION: A

CHECKED: PREPARED BY: J. GELACIO ITEM: ASSEMBLY DRAWING

DO NOT SCALE DRAWING DESCRIPTION: POGO-PIN-5.80-4