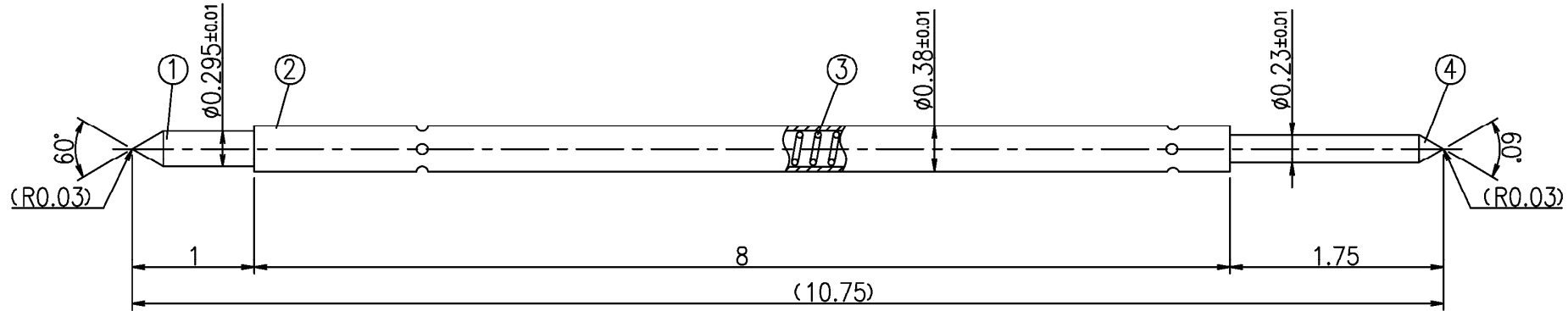


REV	DESCRIPTION	DATE	BY
A	NEW DRAWING	08/27/13	JAG

SKT3977



Stroke		Maximum: 0.8 mm	
		Operating position: 0.4 mm	
Spring Force		Initial: 0.019 N (2 g)	
		Operating position: 0.029 N (3 g)	
	<i>Product</i>	<i>Material</i>	<i>Finish Plating</i>
1	PLUNGER	SK	KG
2	BARREL	Ni	Inner Au
3	SPRING	SUS	Au
4	PLUNGER	SK	KG

Tolerance | ±0.1 | Angle/Tolerance | ±1° | Roughness | $\sqrt{\text{VV}}$

ALL DIMENSIONS ARE IN MILLIMETERS UNLESS OTHERWISE SPECIFIED

EMULATION TECHNOLOGY, INC.
 ——— VLSI and SMT ADAPTERS and ACCESSORIES ———

759 FLYNN ROAD
 CAMARILLO, CA 93012

TEL: (805) 383-8480
 FAX: (805) 383-8484

SHEET: 1 OF 1 DATE: 08/27/13 REVISION: A **ASSEMBLY DRAWING**

CHECKED: PREPARED BY: J. GELACIO ITEM: POGO-PIN-10.7-1

DO NOT SCALE DRAWING DESCRIPTION: POGO-PIN-10.7-1