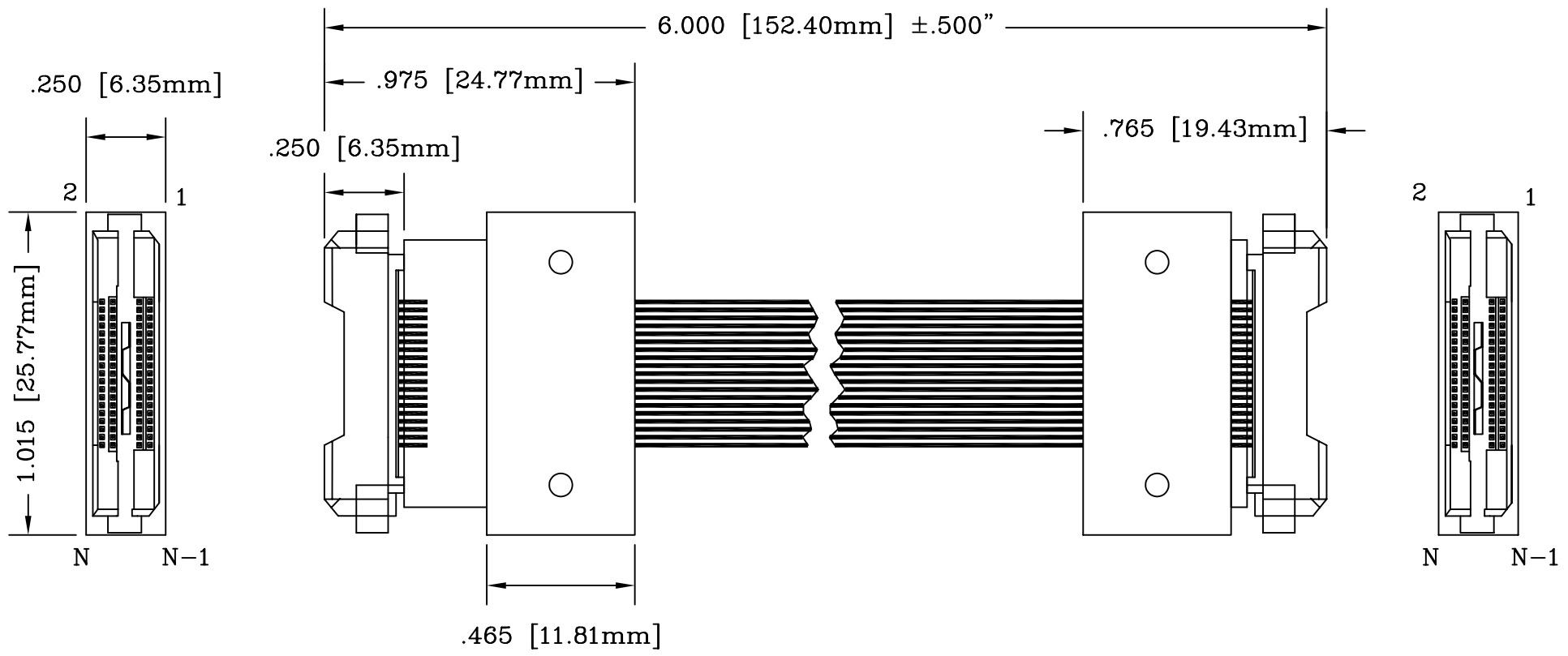


REV	DESCRIPTION	DATE	BY
A	NEW DRAWING	07/08/04	H.N.
B	ADDED PIN OUT	06/01/05	H.N.

F7050



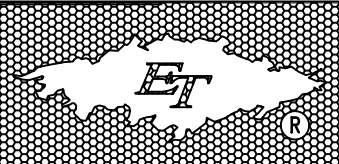
SIGNAL
END-TO-END WIRING

SIDE 1		SIDE 2
1	-	1
2	-	2
N-1	-	N-1
N	-	N

NOTES:

PLUGS MATE WITH AMP P/N 2-767004-2,
767054-1
767044-1
PROPAGATION DELAY: 0.125ns PER INCH
CAPACITANCE: 2.4pf PER INCH

ALL DIMENSIONS ARE IN INCHES UNLESS OTHERWISE SPECIFIED



Emulation Technology, Inc.
— VLSI and SMT ADAPTERS and ACCESSORIES —
2344 Walsh Avenue, Bldg.F Santa Clara, Ca 95051
TEL:(408)982-0660 FAX:(408)982-0664

SHEET: 1 OF 1	DATE: 06/01/05	REVISION: B	ASSEMBLY DRAWING
CHECKED: Perry Munroe	DRAWN: Huy Nguyen	ITEM: MIC-38-CABLEMM6	
Scale 2:1		DO NOT SCALE DRAWING	DESCRIPTION: MIC-38-CABLE-MM-6